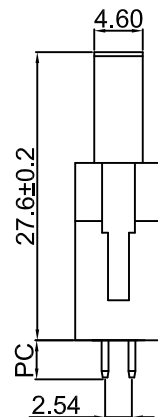
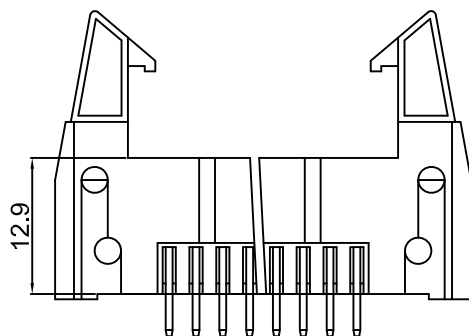
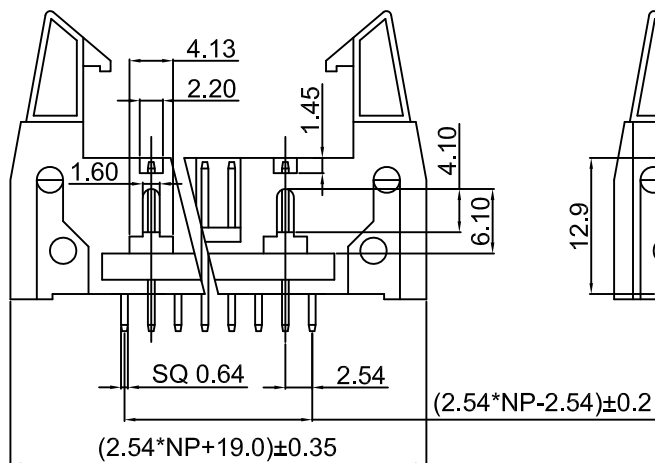
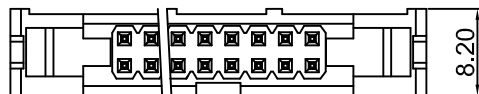


CROWN LINK®

專業薄膜開關連接器第一品牌

ROHS



◆ 1.MATERIALS AND FINISH

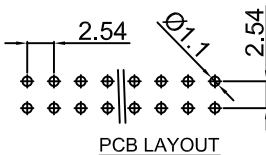
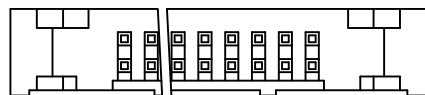
- 1.1 HOUSING MATERIALS: As follows
- 1.2 CONTACTS:Brass
- 1.3 PLATING:As follows

2.SPECIFICATIONS

- 2.1 CURRENT RATING: 3AMP.MAX
- 2.2 INSULATION RESISTANCE: 1000MΩ MIN AT 500V DC
- 2.3 DIELECTRIC WITHSTANDING VOLTAGE: 500V(r.m.s) AC FOR 1 MINUTE.
- 2.4 OPERATING TEMPERATURE:-25°C TO +85°C

◆ PART NO.

L241	XX	-XX	0	X	X	XX	X
2.54mm double row	PLASTIC HEIGHT	PIN NO.	0=180°	MATERIAL	PLATED	SERIES NO.	PACKAGE
H	1~40	1=90°	1. PBT	0. Au0.8u"	01~68:Without a column	A=bag	
13=12.9	2=SMT	3. NY6T	4. LCP	1. Au1u"	70~98:With Inside column	B=tubes	
		5. NY66	7. NY46	2. Au1.5u"		C=tray	
		8. NY9T		3. Au2u"		D=reel	
				4. Au3u"			
				5. Au5u"			
				6. Au10u"			
				7. Selective gold			
				8. Tin			
				9. Matte-Tin			



				LINER	ANGLES
				.0 ±0.3	0.° ±2°
A	FIRST DRAWING	MARY	2017.08.25	.00 ±0.2	.0° ±1°
REV/版本	MODIFIED CONTENT /變更內容	DRAWN/繪圖	DATE/日期	.000 ±0.1	.00° ±0.5°
				TOLERANCE RANGE/公差範圍	

DRAWN/繪圖	DATE/日期
MARY	2017.08.25
CHECK BY/審查	DATE/日期
VIVIAN	2017.08.25
APPROVED BY/核准	DATE/日期
WENDY	2017.08.25
PACKAGE/包裝	

CROWN LINK® THE LEADING MANUFACTURER OF FPC & FFC CONNECTOR, HOUSING AND DOME.				
PRODUCT NAME/品名				
PH2.54X12.9 2XNP 180° BOX HEADER				
PART NO./料號	PIN NUMBER/針數	SCALE/比例	SIZE/圖號	UNIT/單位
L24113-XX0XXXXX	02-80P		A4	mm
MATERIAL/材質	COLOR/顏色	ANGLE OF VIEW/視角	SHEET/頁碼	REV/版本
	BLACK COLOR		1 OF 1	A